

## MUSTANG



### Specifications

#### Backrest and Seat

Steel with Moulded High Density Foam  
(Automotive standard), DOW material ex USA

#### Upholstery

Ateja or Equal

#### Armrest

Polyurethane Gloss with Steel Frame

#### Mechanism

Thick Plate 2.3 Tilting Mechanism

#### Warranty

2 Years Mechanism, Gaslift,

Footbase & Castor

#### Footbase

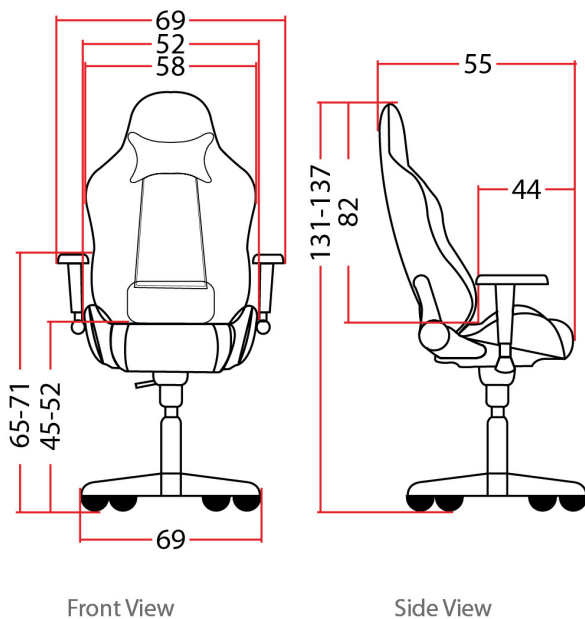
Steel Coating

#### Castor

Nylon Ex Import

#### Certification

SNI & ISO 9001



### Dimensions

Seat Width	: 52	cm
Seat Depth	: 44	cm
Backrest Width	: 58	cm
Backrest Height	: -	cm
Backrest to Seat Height	: 82	cm
Headrest to Seat Height	: -	cm
Headrest Width	: -	cm
Headrest Height	: -	cm
Footbase Width	: 69	cm
Width between Armrest	: 48	cm
Armrest Height to Floor	: 65-71	cm
Seat Height to Floor	: 45-52	cm
Overall Depth	: 55	cm
Overall Height	: 131-137	cm
Overall Width	: 69	cm

#### Disclaimer

Although the information and recommendations provided in this page are presented in good faith and believed to be correct as at the date that they were submitted, Savello makes no representations or warranties as to the completeness or accuracy of the information, product availability, dimension, or/and color on computer screen. All the technical data, such as photos, drawings and nominal dimension, finishing, material, fabric samples are for purposes of illustration and may vary or change without prior notice.